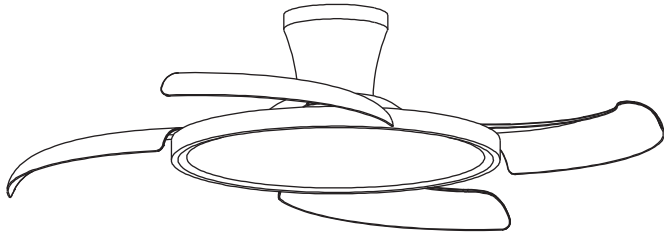


# OPTONICA



## INSTALLATION GUIDE






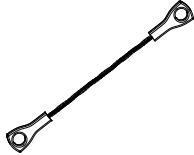
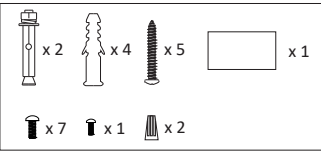
## Cautions and Warnings

- READ THIS ENTIRE MANUAL CAREFULLY BEFORE BEGINNING INSTALLATION. SAVE THESE INSTRUCTIONS.
- Use only original replacement parts.
- To reduce the risk of personal injury, attach the fan directly to the support structure of the building according to these instructions, and use only the hardware supplied.
- To avoid possible electrical shock, before installing your fan, disconnect the power by turning off the circuit breakers to the outlet box and associated wall switch location. If you cannot lock the circuit breakers in the off position, securely fasten a prominent warning device, such as a tag, to the service panel.
- All wiring must be in accordance with national and local electrical codes and ANSI/NFPA 70. If you are unfamiliar with wiring, use a qualified electrician.
- To reduce the risk of personal injury, do not bend the blade attachment system when installing, balancing, or cleaning the fan. Never insert foreign objects between rotating fan blades.
- To reduce the risk of fire, electrical shock, or motor damage, do not use a solid-state speed control with this fan. Use only original speed controls

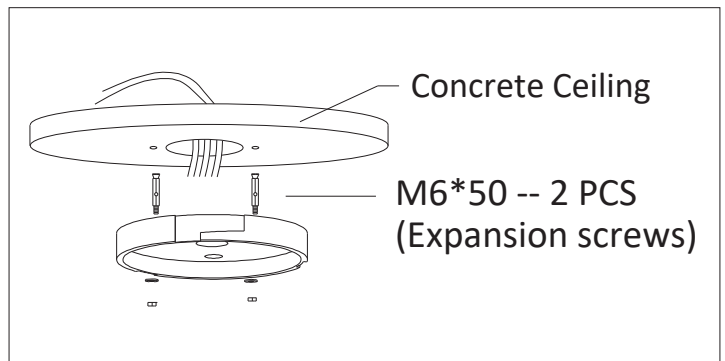
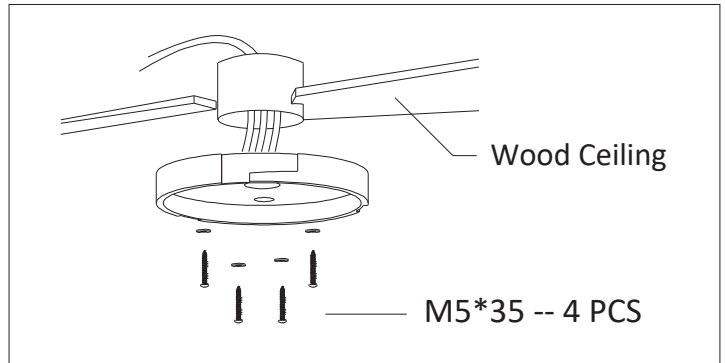
NOTE: The important safety precautions and instructions appearing in the manual are not meant to cover all possible conditions and situations that may occur. It must be understood that common sense and caution are necessary factors in the installation and operation of this fan.

### Parts Inventory

Carefully open the packaging. Remove items from Styrofoam inserts. Remove motor housing and place on carpet or Styrofoam to avoid damage to finish. Check against parts inventory that all parts have been included.

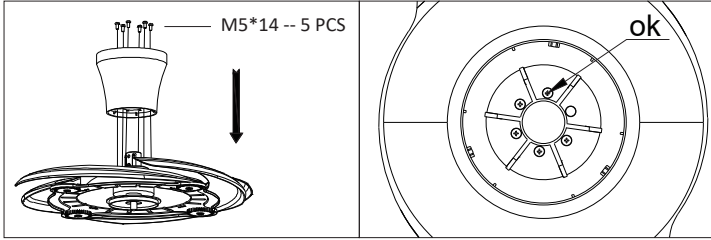
		
Hanger bracket	Remote control	Canopy
		
Motor	LED	Safety rope
		
Spiral package		

### Installing the Hanger Bracket



Please drill  $\phi 8\text{mm}$  hole on the concrete ceiling, and insert the bolt. Align bracket with the hole, then tighten with nut.

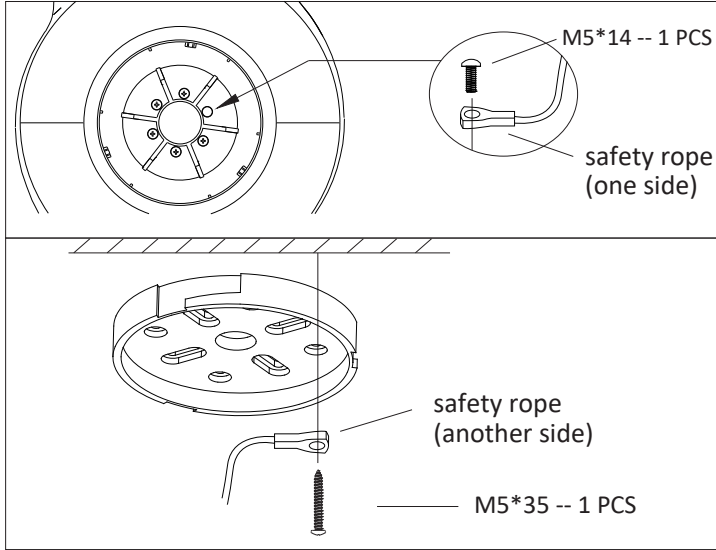
## Blade Assembly



**Time Saver:** Washers for blade screws can be set on each blade screw prior to installing blades.

Align blade holes with motor screw holes, Securing tighten all the screws once all the blades are attached. Before securing screws permanently, repeat with remaining blade arms.

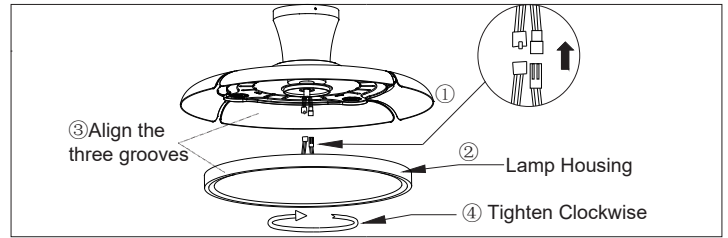
**Note:** Tighten blade screws twice.



One end of the safety rope is fixed to the motor's screw hole with a screw, and the other end is fixed to the Hanger bracket cover with a screw.

4

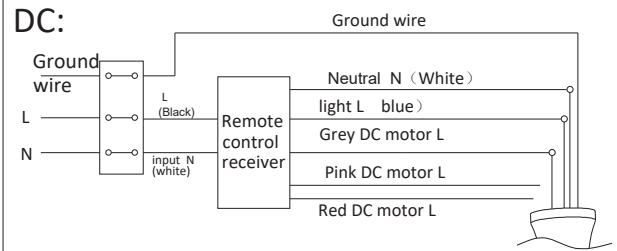
## LED Pan Assembly



Unscrew a set screw. Attach the LED pan up to the bottom of the fan by inserting the other two set screw heads into key hole slots, rotate it to place, then secure the previous set screw by aligning screw hole and the hole at the bottom of the fan, tighten the rest two set screw to secure LED pan.

**NOTE:** While install or remove the LED pan, please keep the insulation pads intact carefully. Turning the set screws over-tightly or fast will damage the insulation pads.

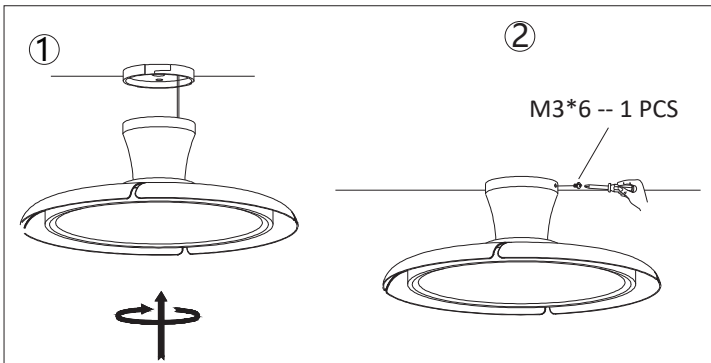
## Remote control connection



Receiver place: Hook the motor on the left hook, and then conduct wiring

5

## complete machine installation



Install the invisible fan on the ceiling cover in a rotating manner, and secure it with screws to lock it in place.

6